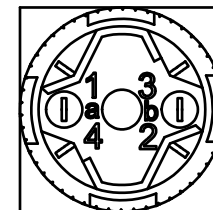
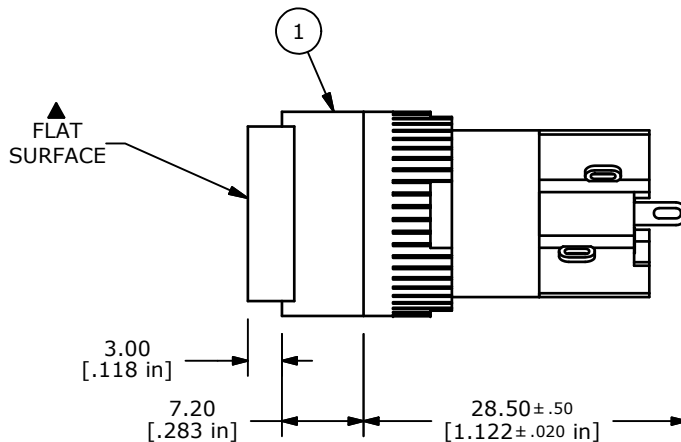
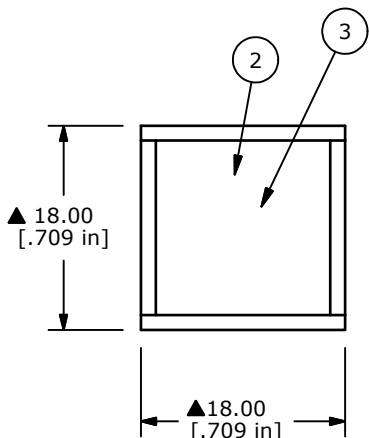
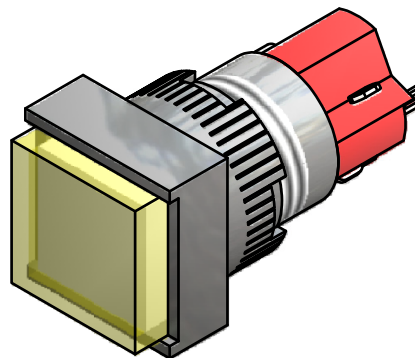
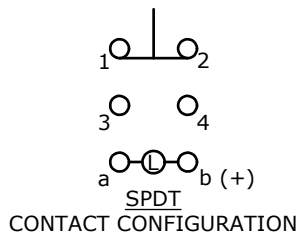


RECOMMENDED PANEL MOUNTING



- NOTE:
1. ALL DIMENSIONS IN MM [INCH].
 2. GENERAL TOLERANCE: X.X=±0.4
X.XX=±0.25
 3. TERMINAL NUMBERS FOR REF ONLY.
 - ▲ 4. CONTACT RATING: 5A @ 250VAC,
8A @ 125VAC,
6A @ 24VDC
 5. ELECTRICAL LIFE: 50,000 OPERATIONS
 6. INSULATION RESISTANCE: 1,000 MEGA-OHM MIN.
 - ▲ 7. CONTACT MATERIAL: SILVER PLATED COPPER ALLOY
 8. ACTUATION FORCE: 300g / POLE
 9. OPERATING TEMP.: -25°C to +55°C
 10. ▲ DENOTES CRITICAL PARAMETER.
 11. 2002/95/EC (ROHS) COMPLIANT

PARTS LIST			
ITEM	QTY	PART NUMBER	DESCRIPTION
1	1	F040005	D16EES11
2	1	F050316	50-003-16 TRANSPARENT YELLOW LENS
3	1	F050424	50-004-24 LAMP YELLOW LED 24VDC



TITLE D16EES11KYELYEL				
SCALE 1.5:1	DATE 3/25/2011	DR BGL	DWG XF0430P	REV B

B	19790	DRAWING CLEAN UP / UPDATE	3/25/11	BGL
REV	PCR NO	DESCRIPTION	DATE	BY

THE INFORMATION CONTAINED IN THIS DOCUMENT IS PROPRIETARY TO E-SWITCH AND IS NOT TO BE COPIED OR TRANSFERRED